

Features and Benefits

- Light source: 1 piece 3.6W Mini Zenigata LED
- Superior lumens maintenance of 70% after 30,000 hours of use
- Short candelabra bulb type
- Low heat, less than 60°C for 4W
- No UV or IR light radiation
- Instant "ON" to 100% brightness
- No mercury or other inorganic
- Clear glass lens with patented flame optics
- Highest luminous efficacy: up to 40lm/w for cool white color
- Machined aluminum heat fins with excellent thermal efficiencies
- Available color temperatures:
 - 2400K – 2600K (Flame)
 - 2600K – 3000K (Warm White)
 - 5000K – 6000K (Cool White)
- 4W LED bulb can achieve directional light output equal to 15W incandescent bulb
- 2 year limited warranty (see page 5)
- Direct replacement of traditional candle bulb

NEW!



Note: Picture for illustration only



Typical Applications

- Energy Saving Programs
- Sustainable Energy
- Chandelier Lighting
- Sconce Lighting
- Bath and Vanity Lighting
- Mood Lighting

PRODUCT SPECIFICATIONS

LIGHT SOURCE	1X3.6W Mini Zenigata power LED
OPTICS	Patented flame optics with clear lens
BULB TYPE	short candelabra
BEAM ANGLE	approx 200° (Flood)
RENDERING INDEX (Ra)	≥ 70 (flame) ≥ 70 (warm white) ≥ 60 (cool white)
TOTAL LENGTH	See product dimensions below
WEIGHT	60 ± 2 g
HEATSINK	Machined pure aluminum with anodize finish
BASE TYPE	E26 / E27 / B22 / E14 / E12 / E17 / BA15d
DIMMABILITY	Non-dimmable

ENVIRONMENTAL SPECIFICATIONS

TEMPERATURE RANGE	Ambient: -20°C to 40°C ; Surface of Lamp: 60°C to 70°C
HUMIDITY RANGE	0 to 95% non-condensing humidity

ELECTRICAL SPECIFICATIONS

VOLTAGE REQUIREMENT	100~240V AC
POWER CONSUMPTION	$\leq 4\text{W}$
POWER FACTOR	≥ 0.5

PRODUCT DIMENSIONS (mm)

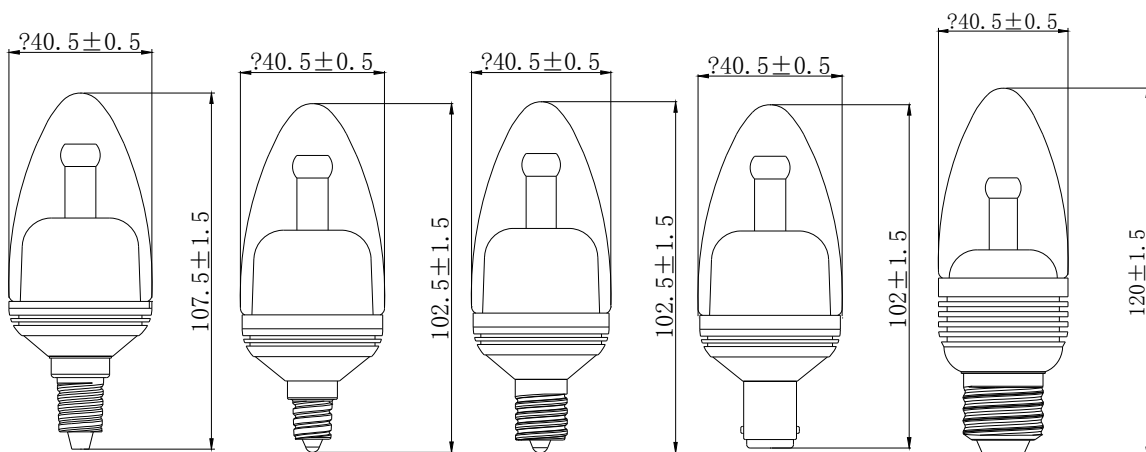


Fig 1. E14 Base

Fig 2. E12 Base

Fig 3. E17 Base

Fig 4. BA15d Base

Fig 5. E27 Base

PRODUCT ORDERING CODE

ORDER CODE	Light Color	Color Temp (°K)	Base Type	Operating Voltage	LED Power (W)	Typical Luminous Flux (lm)	Typical Illuminance@ 2m (Lux)	BEAM ANGLE
CSC41W-E27-3-110/S	Cool White	5000K-6000K	E27	100-120 VAC	1X3.6W	200 lm ± 10%	n/a	200° ±2°
CSC41V-E27-3-110/S	Warm White	2600K-3000K				130 lm ± 10%	n/a	
CSC41F-E27-3-110/S	Flame	2400K-2600K				120 lm ± 10%	n/a	
CSC41W-E27-3-220/S	Cool White	5000K-6000K		220-240 VAC		200 lm ± 10%	n/a	
CSC41V-E27-3-220/S	Warm White	2600K-3000K				130 lm ± 10%	n/a	
CSC41F-E27-3-220/S	Flame	2400K-2600K				120 lm ± 10%	n/a	
CSC41W-E26-3-110/S	Cool White	5000K-6000K	E26	100-120 VAC	1X3.6W	200 lm ± 10%	n/a	200° ±2°
CSC41V-E26-3-110/S	Warm White	2600K-3000K				130 lm ± 10%	n/a	
CSC41F-E26-3-220/S	Flame	2400K-2600K				120 lm ± 10%	n/a	
CSC41W-E26-3-220/S	Cool White	5000K-6000K		220-240 VAC		200 lm ± 10%	n/a	
CSC41V-E26-3-220/S	Warm White	2600K-3000K				130 lm ± 10%	n/a	
CSC41F-E26-3-220/S	Flame	2600K-3000K				120 lm ± 10%	n/a	
CSC41W-B22-3-110/S	Cool White	5000K-6000K	B22	100-120 VAC	1X3.6W	200 lm ± 10%	n/a	200° ±2°
CSC41V-B22-3-110/S	Warm White	2600K-3000K				130 lm ± 10%	n/a	
CSC41F-B22-3-110/S	Flame	2400K-2600K				120 lm ± 10%	n/a	
CSC41W-B22-3-220/S	Cool White	5000K-6000K		220-240 VAC		200 lm ± 10%	n/a	
CSC41V-B22-3-220/S	Warm White	2600K-3000K				130 lm ± 10%	n/a	
CSC41F-B22-3-220/S	Flame	2400K-2600K				120 lm ± 10%	n/a	
CSC41W-E17-3-110/S	Cool White	5000K-6000K	E17	100-120 VAC	1X3.6W	200 lm ± 10%	n/a	200° ±2°
CSC41V-E17-3-110/S	Warm White	2600K-3000K				130 lm ± 10%	n/a	
CSC41F-E17-3-110/S	Flame	2400K-2600K				120 lm ± 10%	n/a	
CSC41W-E17-3-220/S	Cool White	5000K-6000K		220-240 VAC		200 lm ± 10%	n/a	
CSC41V-E17-3-220/S	Warm White	2600K-3000K				130 lm ± 10%	n/a	
CSC41F-E17-3-220/S	Flame	2400K-2600K				120 lm ± 10%	n/a	
CSC41W-E14-3-110/S	Cool White	5000K-6000K	E14	100-120 VAC	1X3.6W	200 lm ± 10%	n/a	200° ±2°
CSC41V-E14-3-110/S	Warm White	2600K-3000K				130 lm ± 10%	n/a	
CSC41F-E14-3-110/S	Flame	2400K-2600K				120 lm ± 10%	n/a	
CSC41W-E14-3-220/S	Cool White	5000K-6000K		220-240 VAC		200 lm ± 10%	n/a	
CSC41V-E14-3-220/S	Warm White	2600K-3000K				130 lm ± 10%	n/a	
CSC41F-E14-3-220/S	Flame	2400K-2600K				120 lm ± 10%	n/a	
CSC41W-E12-3-110/S	Cool White	5000K-6000K	E12	100-120 VAC	1X3.6W	200 lm ± 10%	n/a	200° ±2°
CSC41V-E12-3-110/S	Warm White	2600K-3000K				130 lm ± 10%	n/a	
CSC41F-E12-3-110/S	Flame	2400K-2600K				120 lm ± 10%	n/a	
CSC41W-E12-3-220/S	Cool White	5000K-6000K		220-240 VAC		200 lm ± 10%	n/a	
CSC41V-E12-3-220/S	Warm White	2600K-3000K				130 lm ± 10%	n/a	
CSC41F-E12-3-220/S	Flame	2400K-2600K				120 lm ± 10%	n/a	
CSC41W-B15-3-110/S	Cool White	5000K-6000K	BA15d	100-120 VAC	1X3.6W	200 lm ± 10%	n/a	200° ±2°
CSC41V-B15-3-110/S	Warm White	2600K-3000K				130 lm ± 10%	n/a	
CSC41F-B15-3-110/S	Flame	2400K-2600K				120 lm ± 10%	n/a	
CSC41W-B15-3-220/S	Cool White	5000K-6000K		220-240 VAC		200 lm ± 10%	n/a	
CSC41V-B15-3-110/S	Warm White	2600K-3000K				130 lm ± 10%	n/a	
CSC41F-B15-3-220/S	Flame	2400K-2600K				120 lm ± 10%	n/a	

Typical Electrical Characteristics at $T_a=25^{\circ}\text{C}$

4W Model

Parameter	Symbol	Min	Typ	Max	Unit
Input Voltage (AC)	V_{AC}	90	—	260	V
LED Forward Current	I_F	—	250	—	mA
Estimated usable Life ^[1]		—	30,000	—	hours
Optimized Body Temperature (1X3.6W LED)	T	—	55	60	$^{\circ}\text{C}$

Note[*] – Manufacturer projects BriLED lamp made with Sharp LED to maintain an average of 70% lumens maintenance after 30,000 hours. This estimation is made based on data from LED manufacturer

LIMITED WARRANTY

Manufacturer warrants to the Purchaser that each Product manufactured and sold by it will be free from defects in material and workmanship in its intended use (normal wear and tear excepted) for the period of two years from manufactured date. Manufacturer's warranty flows only to Purchaser. If any Product covered by this warranty is returned by Purchaser in accordance with Manufacturer's Products Return Policy, including without limitation its return authorization provisions, within the applicable warranty period set forth above, and upon examination Manufacturer determines to its satisfaction that such Product was defective in material or workmanship at the time of delivery to the Purchaser, Manufacturer will, at its option, repair or replace the Product or the defective part thereof, or reimburse Purchaser for the purchase price. For purposes of clarity, "repair or replace the Product or the defective part thereof" does not include any reinstallation costs or expenses. If Manufacturer chooses to replace the Product and is not able to do so because it has been discontinued or is not available, Manufacturer may replace it with a comparable product. The Products Return Policy is posted on Manufacturer's Internet web site at http://www.brilliance-led.com/En_terms_conditions.asp. The foregoing notwithstanding, Manufacturer will not be responsible for damage to any Product resulting from misuse, negligence, acts of God or accident or resulting from repairs or alterations made by any person or firm not duly authorized by Manufacturer in writing. Purchaser shall convey with each Product distributed to end users the MANUFACTURER'S LIMITED WARRANTY included by Manufacturer with such Product, and, if Manufacturer determines that the appropriate remedy for a defective product is refund of Purchaser's purchase price, Purchaser shall refund to the end user (or arrange for the refund to the end user of) the full purchase price paid by the end user for such defective Product.

THIRD PARTY WARRANTIES

With respect to products sold to the Purchaser by Manufacturer but not manufactured by Manufacturer, MANUFACTURER MAKES NO WARRANTY OF ANY KIND, EXPRESS OR IMPLIED, INCLUDING, WITHOUT LIMITATION, ANY WARRANTY OF MERCHANTABILITY OR FITNESS FOR A PARTICULAR PURPOSE, but will make available to the Purchaser, to the extent permitted by law and relevant contracts, the warranties of the manufacturer of the relevant product upon the Purchaser's timely written request.

NON-IMPLIED WARRANTIES

THE WARRANTIES GIVEN IN THESE TERMS ARE THE ONLY WARRANTIES GIVEN BY THE MANUFACTURER WITH RESPECT TO THE PRODUCTS AND ARE GIVEN IN LIEU OF ALL OTHER WARRANTIES, EXPRESS OR IMPLIED, INCLUDING, BUT NOT LIMITED TO, WARRANTIES OF MERCHANTABILITY, OF NON INFRINGEMENT AND OF FITNESS FOR A PARTICULAR PURPOSE. PURCHASER'S EXCLUSIVE REMEDIES, AND MANUFACTURER'S SOLE LIABILITY, FOR ANY NONCONFORMITY OR DEFECT IN ANY PRODUCT SHALL BE THOSE EXPRESSED HEREIN.

LIMITATION OF LIABILITY

An essential purpose of the limited exclusive liabilities and remedies in this Agreement is allocation of risks between Manufacturer and Purchaser, which allocation of risks is reflected in the purchase price for the Products. UNDER NO CIRCUMSTANCES SHALL MANUFACTURER'S LIABILITY ARISING OUT OF OR IN CONNECTION WITH THIS AGREEMENT OR MANUFACTURER'S PERFORMANCE OR ASSERTED FAILURE TO PERFORM HEREUNDER, IN CONTRACT, TORT (INCLUDING NEGLIGENCE) OR OTHERWISE, EXCEED THE PURCHASE PRICE OF THE PRODUCT TO WHICH SUCH LIABILITY RELATES. IN NO EVENT SHALL MANUFACTURER BE LIABLE FOR SPECIAL,

INCIDENTAL OR CONSEQUENTIAL DAMAGES, INCLUDING, WITHOUT LIMITATION, DAMAGES RESULTING FROM LOSS OF USE, PROFITS, BUSINESS OR GOODWILL, WHETHER OR NOT MANUFACTURER HAS BEEN ADVISED OF THE POSSIBILITY THEREOF.

Patents Pending Product
4W BriLED – CSC41/SKG3 Rev. 1.0d
Specifications are subject to change without notice.
Copyright Brilliance Technologies Co., Ltd. All rights reserved

